

## Clevertest Plus



Clevertest products must be “activated” before self-test functionality will operate. Refer to supplementary operation guide supplied with the Product or linked via QR code on packaging for details.

After Power ON, the Status LED on a Clevertest Plus enabled fitting will display a rapid Green or Red flashing for a period up to 2 minutes.

### Zoneworks, HIVE and DATA Monitored Options

Fittings with part numbers -ZW, -HVG, -DATA are fitted with Zoneworks communications modules (nodes). These fittings are monitored using either Powerline Carrier Technology that utilize the power cable to provide data communication, RF transceiver modules operating in the ISM band or a dedicated data cable to/from data routers installed on a dedicated data trunk connected to a central Server (can also be connected via Ethernet/Internet/Fibre). Zoneworks software on the server is used to monitor, coordinate testing and collate test data from each fitting. Zoneworks Fittings can be commissioned by a single push of the test switch or by scanning the supplied barcode. The LED Test Switch indicator provides a multifunction indication of the status of the fitting during testing and normal operation:

Option	State	LED Operation
ZW, HVG, DATA	Commissioned	LED on Solid (Green)
ZW, DATA	Un-commissioned	<b>Batt plugged-in:</b> yellow 1s, green 1s
		<b>Batt unplugged:</b> red 1s, off 1s
HVG	Un-commissioned With network connectivity	<b>Batt plugged-in:</b> yellow 1s, green 1s
		<b>Batt unplugged:</b> red 1s, off 1s
HVG	Un-commissioned Without network connectivity	<b>Batt plugged-in:</b> yellow 250mS, green 250mS, yellow 250mS, green 250mS, green 1s
		<b>Batt unplugged:</b> red 250mS, off 250mS, red 250mS, off 250mS, off 1s
ZW, DATA	Emergency Light Test In Progress	LED flashes at yellow 5s , Off 1s
HVG	Emergency Light Test In Progress	LED flashes at yellow 1s , Off 1s

In the case of the DATA version a 2-way “figure 8” cable and terminal block facilitates the connection to the DATA network via a multi-drop bus (daisy chain connection). For further information of installation of a Zoneworks system, please refer to the Zoneworks Users Guide and Commissioning Guide (incl. DATA version)

### DALI 2 EM Option

Luminaires with part numbers having -D2 are fitted with DALI 2 certified modules (nodes) that facilitate connection and integration to 3rd Party Lighting Control Systems. Before installing the fitting please confirm that the Lighting Control System has the capability to monitor DALI Emergency Luminaires. The fitting will be addressed and configured into the control system by the Lighting Control System Commissioning Technicians and not Clevertronics

State	LED Operation
Commissioned/ Un-commissioned	LED on Solid (Green)
Emergency Light Test in progress	LED flashes at 1s On (Yellow) & 1s Off
“IDENTIFY COMMAND”	Lamp and Status LED Flash for 30 seconds


A 2-way “figure 8” cable and terminal block facilitates the connection to the DALI network OR a 5/6way “structured wiring system” lead and plug facilitating the power and DALI connection. DALI connections are marked as Da Da.



# CLP™ LIFELIGHT PRO Surface Mount Emergency Luminaire

## Installation & Maintenance Instruction Leaflet



NOTE: Standard product codes with this symbol  are enabled with Clevertest Plus capability. Please refer to the operation guide supplied with the product for details.

Australia (Head Office)  
Website: [www.clevertronics.com.au](http://www.clevertronics.com.au)  
Email: [info@clevertronics.com.au](mailto:info@clevertronics.com.au)  
Phone: +61 3 9559 2700

UK OFFICE  
Website: [www.clevertronics.co.uk](http://www.clevertronics.co.uk)  
Email: [sales@clevertronics.co.uk](mailto:sales@clevertronics.co.uk)  
Phone: 01895 430 255



### Models:

#### Testing:

Manual Test xx = Blank  
Zoneworks xx = ZW  
Z/W DATA xx = DATA  
Zoneworks HIVE xx = HVG  
DALI-2 xx = D2

### CLIFEx-PRO-SM-vv-xx-yy-zz-uu-ww

#### Options:

Dome zz = D  
Tamperproof yy = TP  
Colour, Black ww = BLK  
Non-Maintained x = Blank  
Maintained x = M  
Switched Active vv = SA  
Reduced Brightness Charge Indicator uu = RBCIL

### Spare Parts:

8003081 Replacement Emergency LED Board  
1553231 Replacement Battery  
8003823 Replacement Emergency Driver  
8003812 Replacement Emergency Driver (-RBCIL)

### Important:

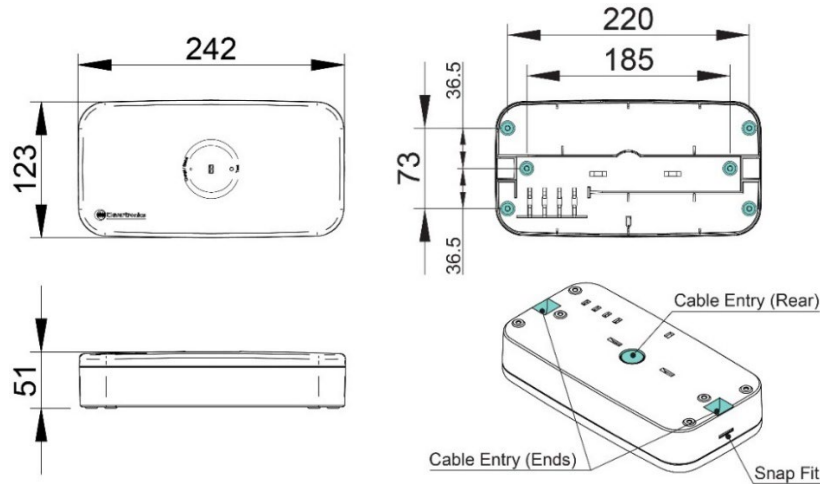
It is illegal for anyone, except for a licensed electrician to install or maintain this product. Before installation, ensure that the electricity supply has been switched off and isolated. Installation must be carried out in accordance with the relevant British Standards.

## Installation:

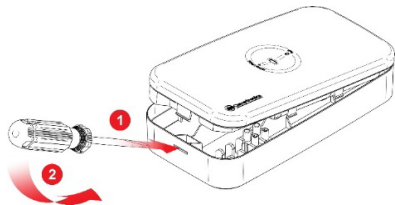
The CLIFE-PRO-SM is a Surface Mount (SM) fitting that can be attached directly to any solid surface (use appropriate fixings to suit the mounting surface). Please follow the steps below to install the CLIFE-PRO-SM:

- Remove the Lid from the Base by using a flat screwdriver to release the snap fits (see below)
- Cut/Drill out Cable Entry points (see image below)
- Drill out the required fixing holes on the Base (see image below)
- Mark holes on mounting surface (use drilled out holes on the Base as a template)
- Mount Base using appropriate fixings to ensure a secure installation (pre-drill holes if required)
- Insert Mains Cables through Cable Entry
- Terminate the Mains Cables into terminal block. Ensure Live, L & Neutral, N wires are connected as per Terminal Block Label. Earth is not required, if Earth is brought in, it can be terminated to E.
- Re-attach Lid Assembly, ensuring to align Mains Connector Pins into Terminal Block
- Where QR/Barcode labels have been supplied with the product, ensure one of the QR/Barcode labels is adhered to a visible surface on the base of the product.
- If the CTP capabilities are activated, please affix the CTP Status Label to a visible surface.
- The luminaire should be positioned so that prolonged staring into the luminaire at a distance closer than 350mm is not expected.
- If flexible wiring is connected to this luminaire and is within arm's reach, the wiring shall be effectively fixed to the wall to reduce the risk of strangulation.

## Dimensions:



## Lid Removal:



## Note:

This luminaire (with reinforced insulation between control/LED terminal and AC supply) contains non-user replaceable light source and battery - to be replaced (if required, refer installation instructions for battery replacement) by Clevertronics service personnel/agents or a registered electrician.

## Battery Replacement:

1. Prior to any work, isolate the power to the luminaire that requires battery replacement.
2. Open the fitting by removing the Lid as shown in Lid Removal.
3. Remove the Battery Connector from the Emergency Driver board.
4. Remove the battery from the Lid pressing out one end first.
5. Replace battery, reconnect battery connector to Emergency Driver board.
6. Reinstall the Lid, ensure both ends are clipped in.

## Testing Procedure:

When the unit is connected to the un-switched active, it must be allowed to charge the battery for at least 24 hours. The emergency lamp only illuminates during a power fail. Conduct the following tests:

- The emergency lamp must illuminate for at least 180 min after disconnection from the mains. If the unit fails to illuminate for the requisite time, remedial action must be taken to repair the situation and once completed, the unit must pass a subsequent test.
- Press and hold Test Button or switch Off Mains Supply, check that the emergency lamp is On.
- Release the Test Button or Switch On Mains Supply, check that the emergency lamp is Off (Non-maintained operation).

## Trouble Shooting:

Below are a list of common problems and their possible causes.

**Fault:** The Green LED Test Switch indicator is not illuminated.

Check: A.C. is connected and is turned on.  
Battery is connected  
Test Switch for damage.

**Fault:** Lamp does not illuminate in emergency mode.

Check: A.C. is connected.  
Lamp is correctly inserted.  
Battery is connected

**Fault:** Lamp illuminates in emergency mode, but only stays on for a short period.

Check: Battery has been allowed to charge for at least 24 hours.  
Battery for damage.

## Caution:

On many building sites, power circuits may be cut off in an uncontrolled and repetitive basis during construction. As a result, any Exit & Emergency Units, on these circuits, will have their batteries discharged or "cycled". The Li-ion battery in the Exit & Emergency Unit has been selected to give excellent long life performance in a controlled IEC 60598-2-22 testing environment. Excessive battery cycling will reduce through-life performance and may lead to premature battery failure. Battery warranty claims, as a result of such abuse, are specifically EXCLUDED from Clevertronics warranty terms.

## Warranty:

For Product Warranty information and Terms and Conditions of Sales please refer to our website <https://clevertronics.co.uk/product-warranty-statement/>